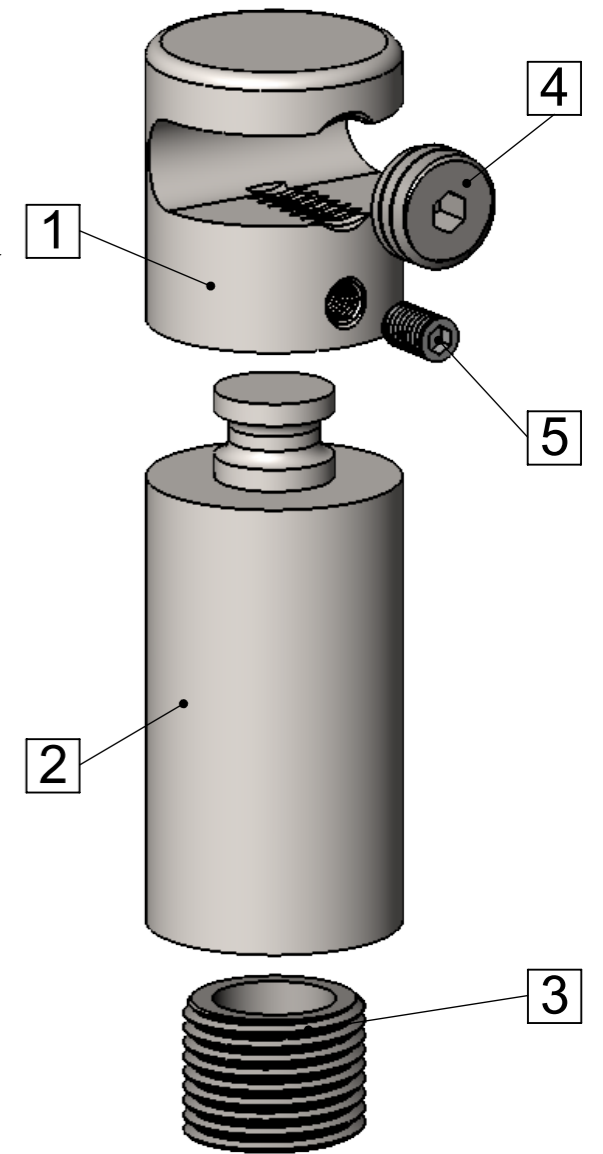


Set Screw M8x4.5

Set Screw M3x5



ITEM NO.	PART NUMBER	QTY.
1	SA1724A	1
2	CS3CT-B	1
3	SA1724C	1
4	M8x4.5	1
5	M3x5	1

SECTION A-A
SCALE 3 : 1

Title : SSA1750		Scale : 2:1		Mbs R&D	
		Sizes : Letter Landscape		Customer:	
Material: Stainless Steel 201		Finish TBD		Qty :	Rep :
N°programme laser		N°prog. Mécanum.		N° Plan : SA1724	