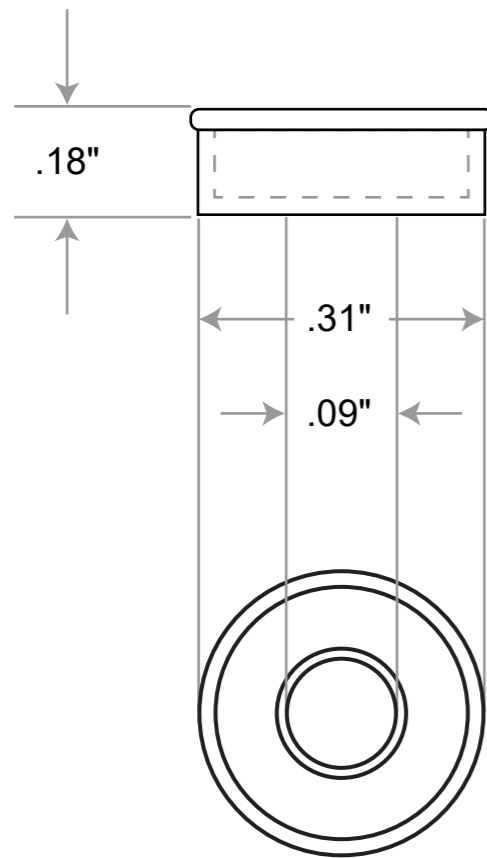


Snap-Cap washer for screw  
#6, #8, M3, M4



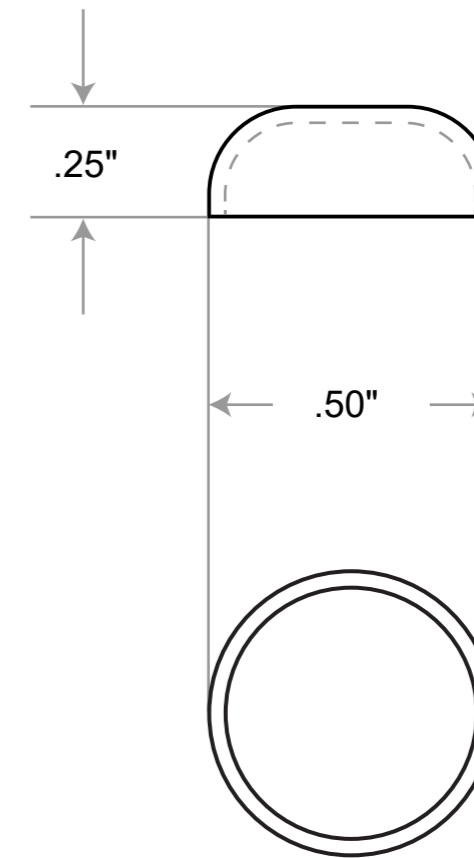
Washer for flat head  
screw use Item #: W6/8FB



Washer for countersunk  
screw use Item #: W6/8CS

*Washer Sold Separately*

Snap-Cap for screw  
#6, #8, M3, M4



*Drawing Is Not To Scale*

<b>Title:</b> SC6/8FGG		Cap Height: 1/4"	Mbs R&D	
		Diameter: 1/2"	Customer:	
 Htm-Mbs 5046 W Linebaugh Tampa, FL 33624 T: 1 (813) 938-6025	Material: High-Impact UV Stabilized Plastic	Finish: Forest Green Gloss	Qty:	Rep:
	N° program laser	N° prog. Mecan	N° Plan: N° Plan:	