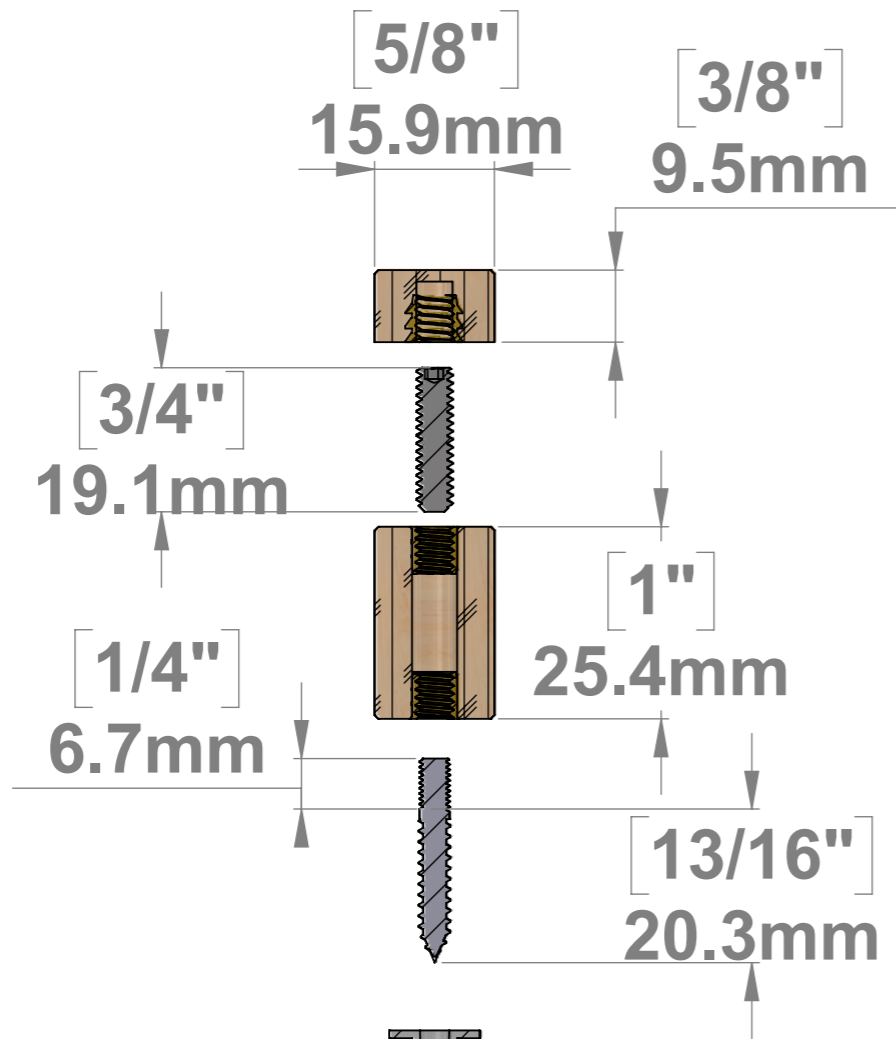


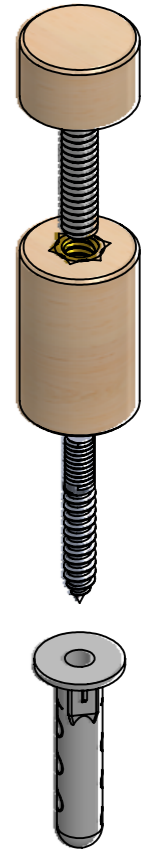
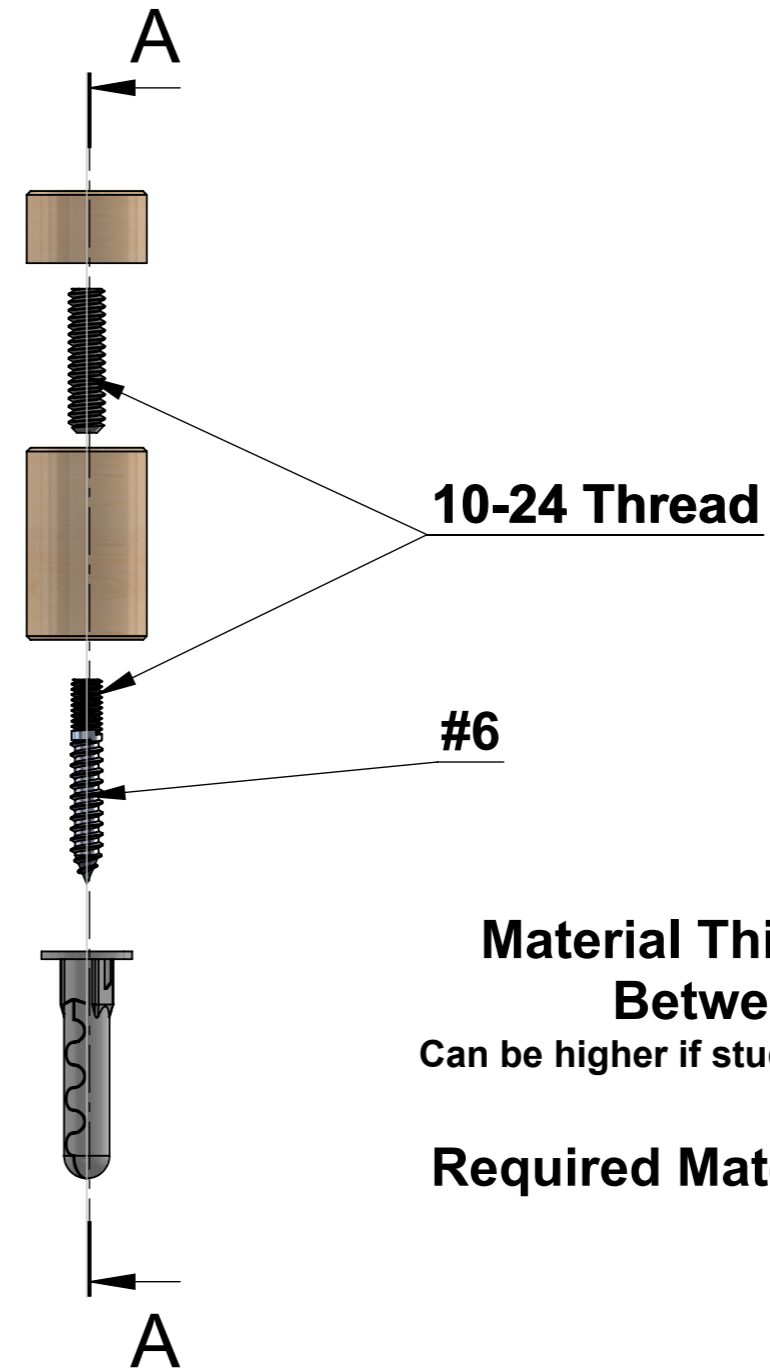
Set of 4 Standoffs

- 4x Cap
- 4x Stud
- 4x Barrel
- 4x Hanger Bolt
- 4x Anchor




**Concrete / Drywall
Anchor #6
1/4" Drill Diameter**

SECTION A-A



**Material Thickness Accepted
Between 0" to 1/2"**
Can be higher if stud is changed to a longer one

Required Material Hole Size: 1/4"

Title : WS058-100		Scale : 2:1		Mbs R&D	
		Sizes : Letter Landscape		Customer:	
 Mbs Standoffs 5046 W Linebaugh Ave Tampa, FL 33624 USA 1 (813) 938-6025		Material:		Qty :	
		N°programme laser		Rep :	
		Finish		N° Plan : FAH25-12	
		N°prog. Mécanum.			