

6

5

4

3

2

1

D

D

C

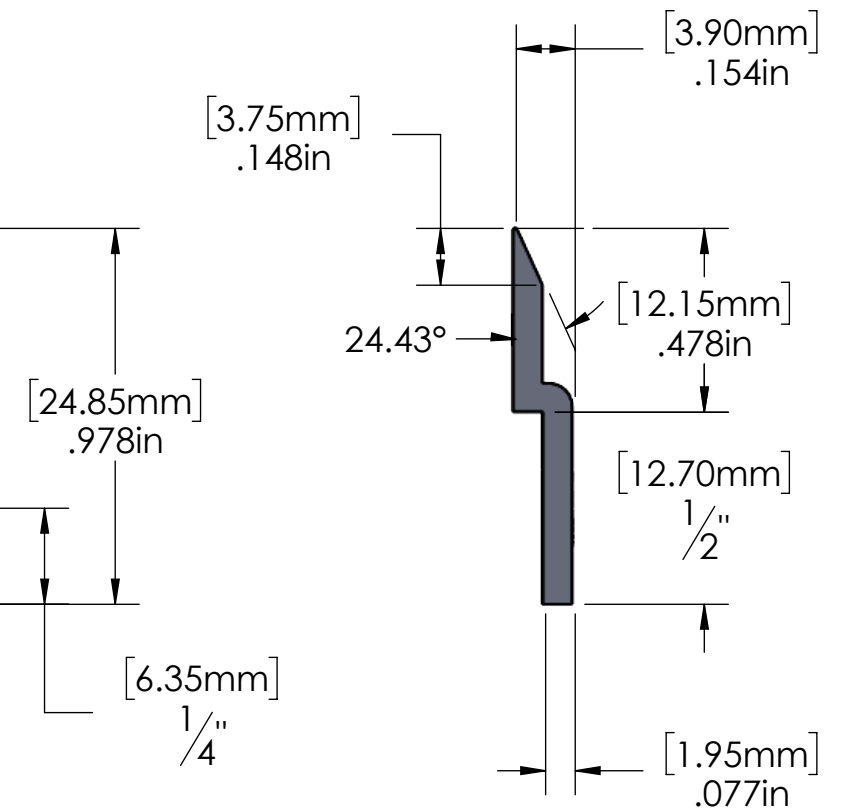
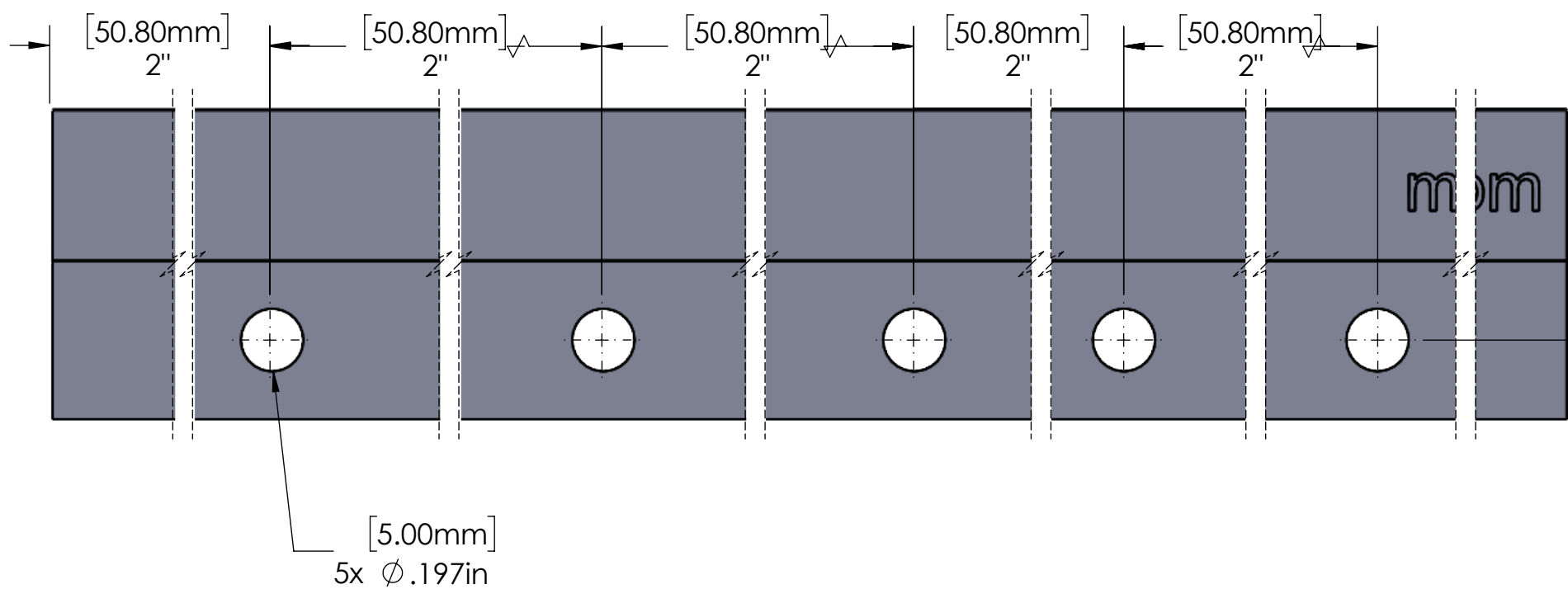
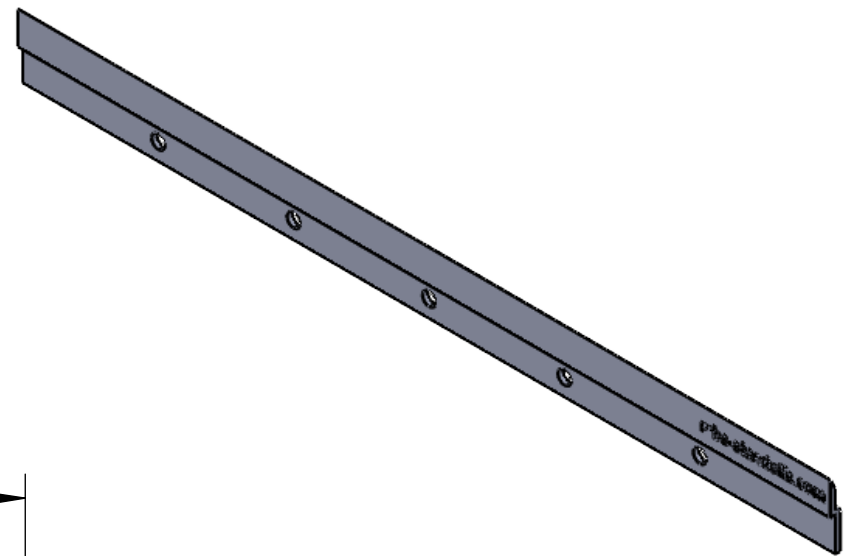
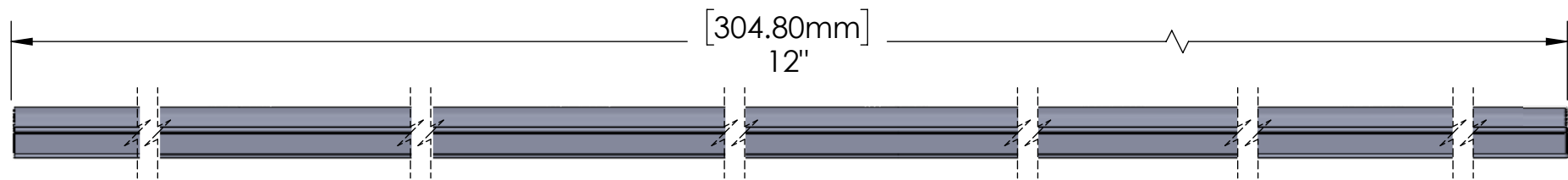
C

B

B

A

A



TITLE <b>ZCPO-12</b>	 Tolerance : OD ± .005in [.125mm] ID ± .003in [.075mm] Length ± .005in [.125mm]	Scale: 2:1	Mbs R&D	
		Size: A3	Customer:	
 Mbs Standoffs 5046 W Linebaugh Ave, Tampa, FL 33624 USA 1(813)-938-6025	Material	Finish	Qty:	Rep:
	N' Program laser	N'Prog. Mecanum	Plan:	

This document and the product mentioned in Reference are the exclusive property for MBS-Standoffs, they can not be used, reproduced, disclosed, or disclosed without prior authorization

6

5

4

3

2

1