

6

5

4

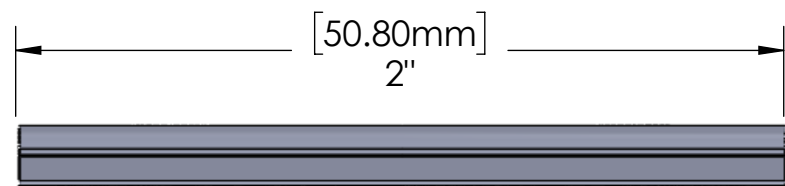
3

2

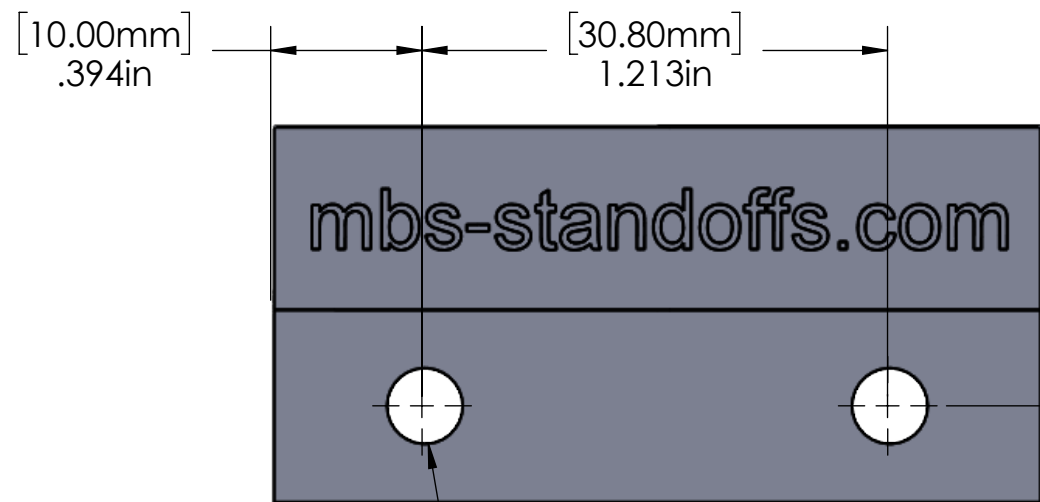
1

D

D



C



B

[5.00mm]
2x ϕ .197in

[6.35mm]
1/4"

[3.75mm]
.148in

24.43°

[1.95mm]
.077in

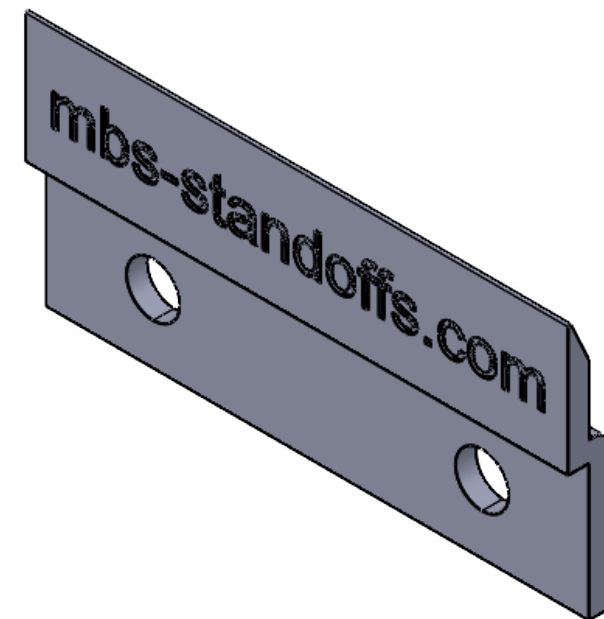
[12.15mm]
.478in

[12.70mm]
1/2"

[1.95mm]
.077in

[1.95mm]
.077in

[3.90mm]
.154in





C

B

A

A

TITLE ZCPO-2	 Tolerance : OD \pm .005in [.125mm] ID \pm .003in [.075mm] Length \pm .005in [.125mm]	Scale: 2:1	Mbs R&D	
		Size: A3	Customer:	
 Mbs Standoffs 5046 W Linebaugh Ave, Tampa, FL 33624 USA 1(813)-938-6025	Material	Finish	Qty:	Rep:
	N' Program laser	N'Prog. Mecanum	Plan:	

6

5

4

3

2

1