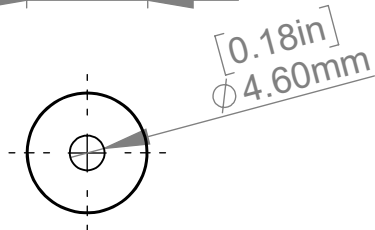
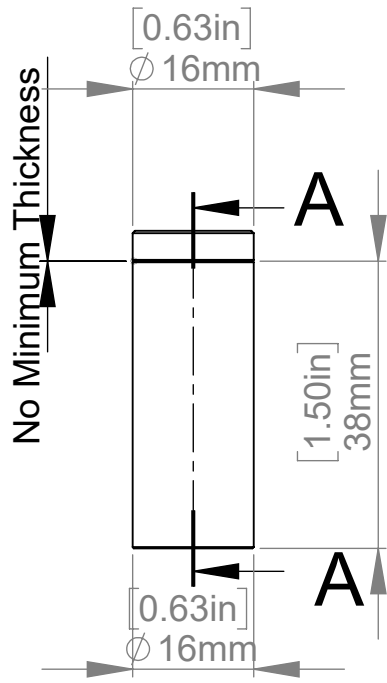
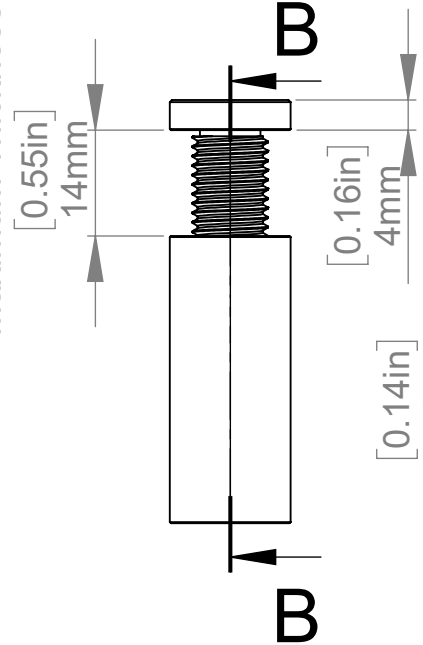


[0.18in]
Ø 4.60mm

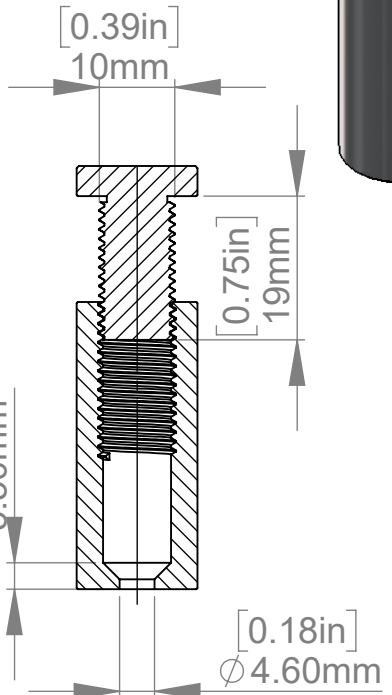
SECTION A-A



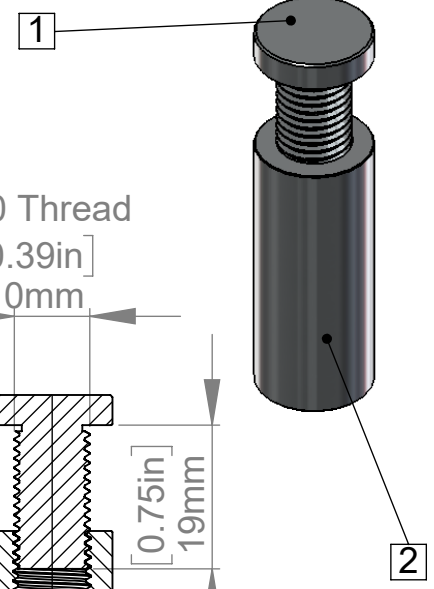
Maximum Thickness



M10 Thread



SECTION B-B



ITEM NO.	PART NUMBER	DESCRIPTION	QTY.
1	AS16-38-A		1
2	AS16-38-B		1

Title : AS16-38			Scale : 1:1	Mbs R&D	
			Sizes : Letter Landscape	Customer:	
	Mbs Standoffs 6420 Benjamin Rd Tampa, FL 33834 USA 813-938-6025	Material:	Finish	Qty :	Rep :
		N°programme laser	N°prog. Mécanum.	N° Plan : AS16-38	