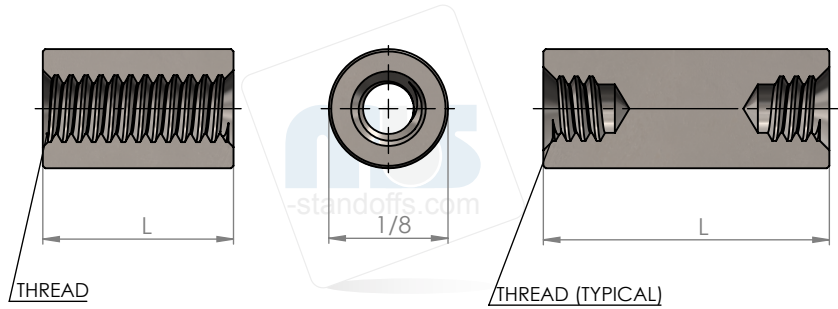


1/8 Round Female Standoff



Hex Code Table		
✓	FCXXXX	Length (L)
	FC1600	1/8
	FC1601	3/16
	FC1602	1/4
	FC1603	5/16
	FC1604	3/8
	FC1605	7/16
	FC1606	1/2
	FC1607	9/16
	FC1608	5/8
	FC1609	11/16
	FC1610	3/4
	FC1611	13/16
	FC1612	7/8
	FC1613	15/16
	FC1614	1
	FC1615	1-1/16
	FC1616	1-1/8
	FC1617	1-3/16
	FC1618	1-1/4
	FC1619	1-5/16
	FC1620	1-3/8
	FC1621	1-7/16
	FC1622	1-1/2
	FC1623	1-9/16
	FC1624	1-5/8
	FC1625	1-11/16
	FC1626	1-3/4
	FC1627	1-13/16
	FC1628	1-7/8
	FC1629	1-15/16
	FC1630	2

Create a part number:

Length	Thread	Material	Finish
FCXXXX	XXX	XX	XX
<div style="border-top: 1px dashed black; margin-top: 5px;"></div>			

Thread				
✓	Thread Code (XXX)	Tapped Thru		Longer Parts
		A, B, S	SS	Blind Tap Depth
	080	3/8	1/4	3/16
	256	3/4	5/8	3/16

Aluminum (A), Brass (B), Steel (S), Stainless Steel (SS)

Material		
✓	Material Code (XX)	
	A	Aluminum
	B	Brass
	S	Steel
	SS	Stainless Steel
	N	Nylon

Tolerances Unless otherwise Specified
 .xxx +/- .005
 .xx +/- .010
 Angular +/- 1 Degree
 Linear +/- .005
Break all sharp edges

✓ Compatible Finish		
A, B, S, SS	0 - Plain	
B, S	5 - Nickel Plate (QQ-N-290)	
A	6 - Iridite #14 Gold (MIL-C-5541E)	
A	7 - Iridite Clear (MIL-C-5541E)	
A	9 - Alodine 1200	
B, S	12 - Zinc Clear (ASTM-B-633)	
B, S	16 - Electro Tin (MIL-T-10727 TYPE 1)	
SS	20 - Passivation (MIL-F-14072D)	
A	22 - Clear Anodize (MIL-A-8625-TYPE2) (Sulphuric) Hot Water Seal (Clear)	
A	24 - Black Anodize (MIL-A-8625)	
B, S, SS	26 - Black Oxide	
B, S	28 - Zinc Yellow (ASTM-B-633)	



5046 W Linebaugh Ave
 Tampa, FL, 33624
 sales@mbs-standoffs.com
 Mbs-Standoffs.com
 P: (813) 938-6025
 F: (813) 425-9007

Source Control Drawing:
 To be produced by
 mbs-standoffs

This document is the property of mbs-standoffs Inc. and shall not be reproduced, distributed, or used as a basis for manufacturing without written permission from mbs-standoffs Inc.