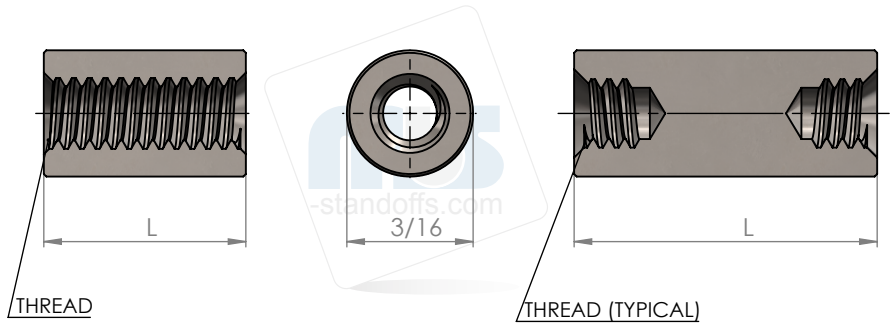




3/16 Round Female Standoff



Hex Code Table		
✓	FCXXXX	Length (L)
	FC1631	1/8
	FC1632	3/16
	FC1633	1/4
	FC1634	5/16
	FC1635	3/8
	FC1636	7/16
	FC1637	1/2
	FC1638	9/16
	FC1639	5/8
	FC1640	11/16
	FC1641	3/4
	FC1642	13/16
	FC1643	7/8
	FC1644	15/16
	FC1645	1
	FC1646	1-1/16
	FC1647	1-1/8
	FC1648	1-3/16
	FC1649	1-1/4
	FC1650	1-5/16
	FC1651	1-3/8
	FC1652	1-7/16
	FC1653	1-1/2
	FC1654	1-9/16
	FC1655	1-5/8
	FC1656	1-11/16
	FC1657	1-3/4
	FC1658	1-13/16
	FC1659	1-7/8
	FC1660	1-15/16
	FC1661	2
	FC1662	2-1/16
	FC1663	2-1/8
	FC1664	2-3/16
	FC1665	2-1/4
	FC1666	2-5/16
	FC1667	2-3/8
	FC1668	2-7/16
	FC1669	2-1/2
	FC1670	2-9/16
	FC1671	2-5/8
	FC1672	2-11/16
	FC1673	2-3/4
	FC1674	2-13/16
	FC1675	2-7/8
	FC1676	2-15/16
	FC1677	3

Create a part number:

Length	Thread	Material	Finish
FCXXXX	XXX	XX	XX
<div style="border-top: 1px dashed black; margin-top: 5px;"></div>			

Thread				
✓	Thread Code (XXX)	Tapped Thru		Longer Parts
		A, B, S	SS	Blind Tap Depth
	256	3/4	5/8	3/16
	440	1	3/4	1/4

Aluminum (A), Brass (B), Steel (S), Stainless Steel (SS)

Material	
✓	Material Code (XX)
	A Aluminum
	B Brass
	S Steel
	SS Stainless Steel
	N Nylon

Tolerances Unless otherwise Specified
 .xxx +/- .005
 .xx +/- .010
 Angular +/- 1 Degree
 Linear +/- .005
Break all sharp edges

✓		Compatible Finish
	A, B, S, SS	0 - Plain
	B, S	5 - Nickel Plate (QQ-N-290)
	A	6 - Iridite #14 Gold (MIL-C-5541E)
	A	7 - Iridite Clear (MIL-C-5541E)
	A	9 - Alodine 1200
	B, S	12 - Zinc Clear (ASTM-B-633)
	B, S	16 - Electro Tin (MIL-T-10727 TYPE 1)
	SS	20 - Passivation (MIL-F-14072D)
	A	22 - Clear Anodize (MIL-A-8625-TYPE2) (Sulphuric) Hot Water Seal (Clear)
	A	24 - Black Anodize (MIL-A-8625)
	B, S, SS	26 - Black Oxide
	B, S	28 - Zinc Yellow (ASTM-B-633)



5046 W Linebaugh Ave
Tampa, FL, 33624
sales@mbs-standoffs.com
Mbs-Standoffs.com
P: (813) 938-6025
F: (813) 425-9007

Source Control Drawing:
 To be produced by
mbs-standoffs

This document is the property of mbs-standoffs Inc. and shall not be reproduced, distributed, or used as a basis for manufacturing without written permission from mbs-standoffs Inc.