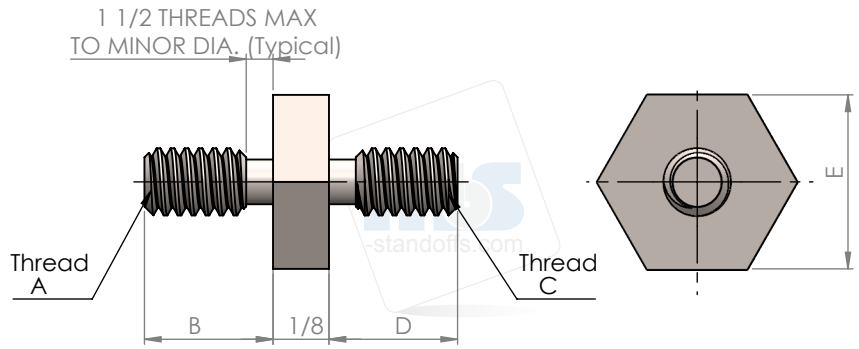


Male - Male Hex Standoff



Create a part number:

Length	Material	Finish
FCXXXX	XX	XX

Part Number						
✓ FCXXXX	Thread A	Length B	Thread C	Length D	Hex E	
FC4726	440	3/16	440	3/16	1/4	
FC4727	440	3/16	632	1/4	1/4	
FC4728	632	1/4	632	1/4	1/4	
FC4729	632	1/4	832	3/8	1/4	
FC4730	832	3/8	832	3/8	1/4	
FC4731	832	3/8	1032	3/8	1/4	
FC4732	1032	3/8	1032	3/8	1/4	
FC4733	832	3/8	832	3/8	5/16	
FC4734	832	3/8	1032	3/8	5/16	
FC4735	1032	3/8	1032	3/8	5/16	

Material		
✓ Material Code (XX)		
A	Aluminum	
B	Brass	
S	Steel	
SS	Stainless Steel	

Tolerances
Unless otherwise Specified
 .xxx +/--.005
 .xx +/--.010
 Angular +/- 1 Degree
 Linear +/--.005
Break all sharp edges

Source Control Drawing:
 To be produced by
 mbs-standoffs



5046 W Linebaugh Ave
 Tampa, FL, 33624
 sales@mbs-standoffs.com
 Mbs-Standoffs.com
 P: (813) 938-6025
 F: (813) 425-9007

This document is the property of mbs-standoffs Inc. and shall not be reproduced, distributed, or used as a basis for manufacturing without written permission from mbs-standoffs Inc.

✓ Compatible Finish		
A, B, S, SS	0 - Plain	
B, S	5 - Nickel Plate (QQ-N-290)	
A	6 - Iridite #14 Gold (MIL-C-5541E)	
A	7 - Iridite Clear (MIL-C-5541E)	
A	9 - Alodine 1200	
B, S	12 - Zinc Clear (ASTM-B-633)	
B, S	16 - Electro Tin (MIL-T-10727 TYPE 1)	
SS	20 - Passivation (MIL-F-14072D)	
A	22 - Clear Anodize (MIL-A-8625-TYPE2) (Sulphuric) Hot Water Seal (Clear)	
A	24 - Black Anodize (MIL-A-8625)	
B, S, SS	26 - Black Oxide	
B, S	28 - Zinc Yellow (ASTM-B-633)	