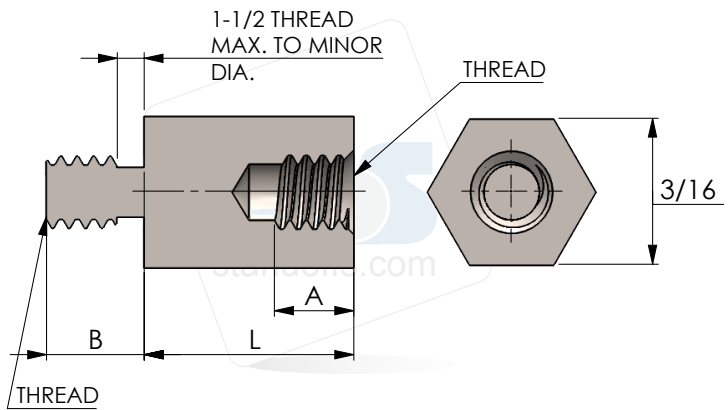




# 3/16 Hex Male-Female Standoff



Hex Length Table		
✓ FCXXXX	Length (L)	
FC4500	3/16	
FC4501	1/4	
FC4502	5/16	
FC4503	3/8	
FC4504	7/16	
FC4505	1/2	
FC4506	9/16	
FC4507	5/8	
FC4508	11/16	
FC4509	3/4	
FC4510	13/16	
FC4511	7/8	
FC4512	15/16	
FC4513	1	
FC4514	1-1/16	
FC4515	1-1/8	
FC4516	1-3/16	
FC4517	1-1/4	
FC4518	1-5/16	
FC4519	1-3/8	
FC4520	1-7/16	
FC4521	1-1/2	
FC4522	1-9/16	
FC4523	1-5/8	
FC4524	1-11/16	
FC4525	1-3/4	
FC4526	1-13/16	
FC4527	1-7/8	
FC4528	1-15/16	
FC4529	2	

## Create a part number:

Length	Thread	Material	Finish
FCXXXX	XXX	XX	XX
_____ - _____ - _____ - _____			

Thread			
Short lengths, 'A' tapped to maximum depth			
✓	Thread Code (XXX)	Depth (A)	Length (B)
	256	3/16	5/32
	440	1/4	3/16
	632	3/8	1/4

Material		
✓ Material Code (XX)		
A	Aluminum	
B	Brass	
S	Steel	
SS	Stainless Steel	
N	Nylon	

✓ Compatible Finish		
A, B, S, SS	0 - Plain	
B, S	5 - Nickel Plate (QQ-N-290)	
A	6 - Iridite #14 Gold (MIL-C-5541E)	
A	7 - Iridite Clear (MIL-C-5541E)	
A	9 - Alodine 1200	
B, S	12 - Zinc Clear (ASTM-B-633)	
B, S	16 - Electro Tin (MIL-T-10727 TYPE 1)	
SS	20 - Passivation (MIL-F-14072D)	
A	22 - Clear Anodize (MIL-A-8625-TYPE2) (Sulphuric) Hot Water Seal (Clear)	
A	24 - Black Anodize (MIL-A-8625)	
B, S, SS	26 - Black Oxide	
B, S	28 - Zinc Yellow (ASTM-B-633)	

**Tolerances Unless otherwise Specified**  
 .xxx +/- .005  
 .xx +/- .010  
 Angular +/- 1 Degree  
 Linear +/- .005  
**Break all sharp edges**



5046 W Linebaugh Ave  
 Tampa, FL, 33624  
 sales@mbs-standoffs.com  
 Mbs-Standoffs.com  
 P: (813) 938-6025  
 F: (813) 425-9007

Source Control Drawing:  
 To be produced by  
 Mbs-Standoffs

This document is the property of Mbs-Standoffs Inc. and shall not be reproduced, distributed, or used as a basis for manufacturing without written permission from Mbs-Standoffs Inc.