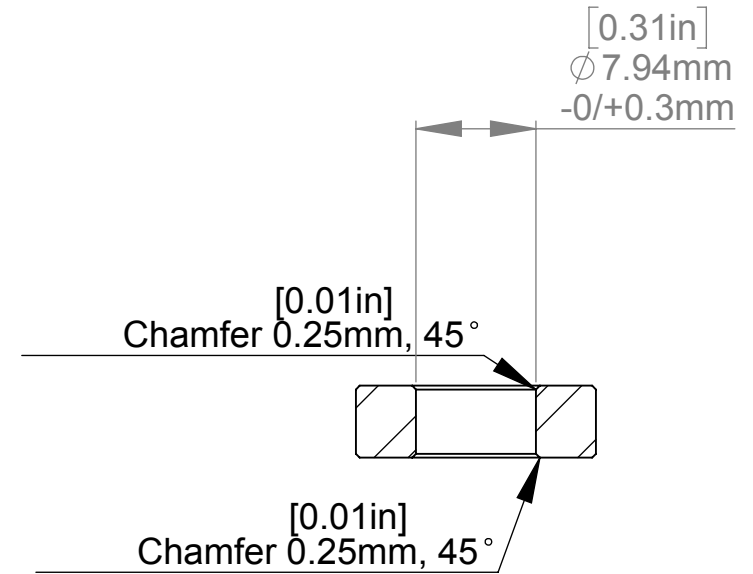
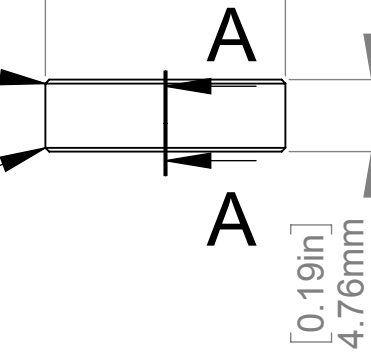


[0.01in]
Chamfer 0.25mm, 45°

[0.01in]
Chamfer 0.25mm, 45°



SECTION A-A

Title : S058-3161			Scale : 2:1	Mbs R&D	
			Sizes : Letter Landscape	Customer:	
	Mos Standoffs 8420 Benjamin Rd Tampa, FL 33634 USA 813 938 6025	Material:	Finish	Qty :	Rep :
		N°programme laser	N°prog. Mécanum.	N° Plan : S058-3161	