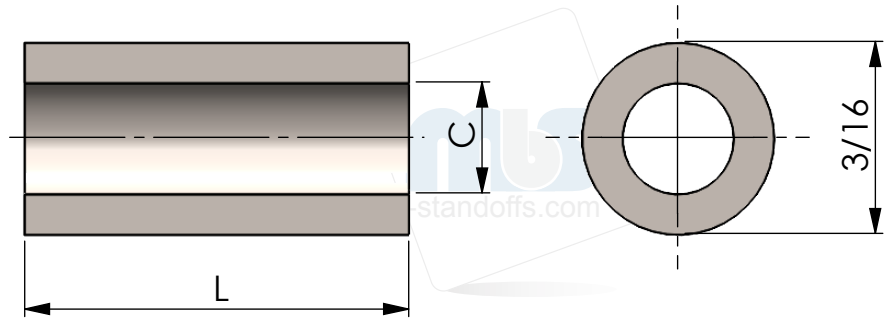


# 3/16 Round Spacers



**Create a part number:**

Length	Clearance	Material	Finish
FCXXXX	XX	XX	XX
_____ - _____ - _____ - _____			

Hex Code Table		
✓	FMXXXX	Length (L)
	FC1107	1/8
	FC1108	3/16
	FC1109	1/4
	FC1110	5/16
	FC1111	3/8
	FC1112	7/16
	FC1113	1/2
	FC1114	9/16
	FC1115	5/8
	FC1116	11/16
	FC1117	3/4
	FC1118	13/16
	FC1119	7/8
	FC1120	15/16
	FC1121	1

Hole Clearance Code (XX)		
✓	Code (XX)	C + .010
	2	.090
	4	.115
	6	.140
	8	.166

Material		
✓ Material Code (XX)		
	A	Aluminum
	B	Brass
	S	Steel
	SS	Stainless Steel
	N	Nylon

✓ Compatible Finish (XX)		
	A, B, S, SS	0 - Plain
	B, S	5 - Nickel Plate (QQ-N-290)
	A	6 - Iridite #14 Gold (MIL-C-5541E)
	A	7 - Iridite Clear (MIL-C-5541E)
	A	9 - Alodine 1200
	B, S	12 - Zinc Clear (ASTM-B-633)
	B, S	16 - Electro Tin (MIL-T-10727 TYPE 1)
	SS	20 - Passivation (MIL-F-14072D)
	A	22 - Clear Anodize (MIL-A-8625-TYPE2) (Sulphuric) Hot Water Seal (Clear)
	A	24 - Black Anodize (MIL-A-8625)
	B, S, SS	26 - Black Oxide
	B, S	28 - Zinc Yellow (ASTM-B-633)



5046 W Linebaugh Ave  
Tampa, FL, 33624  
sales@mbs-standoffs.com  
Mbs-Standoffs.com  
P: (813) 938-6025  
F: (813) 425-9007

**Tolerances  
Unless otherwise Specified**  
.xxx +/- .005  
.xx +/- .010  
Angular +/- 1 Degree  
Linear +/- .005  
**Break all sharp edges**

Source Control Drawing:  
To be produced by  
mbs-standoffs

This document is the property of mbs-standoffs Inc. and shall not be reproduced, distributed, or used as a basis for manufacturing without written permission from mbs-standoffs Inc.